

## SB-01 / SB-02 / SB-03

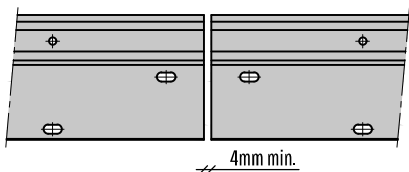
### ANCHOR INDOOR

SB-01 : FIS A M10x170 + Injection FIS SB 390 S  
 SB-02 : FIS A M10x170 + Injection FIS SB 390 S  
 SB-03 : FIS A M10x200 + Injection FIS SB 390 S

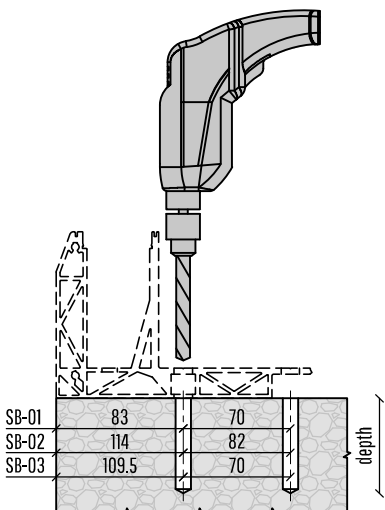
### ANCHOR OUTDOOR

SB-01 : FIS A M10x170 + Injection FIS SB 390 S A4  
 SB-02 : FIS A M10x170 + Injection FIS SB 390 S A4  
 SB-03 : FIS A M10x200 + Injection FIS SB 390 S A4

### DILATATION (OUTDOOR)

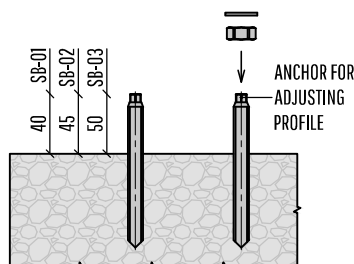


### 1 - DRILL HOLES



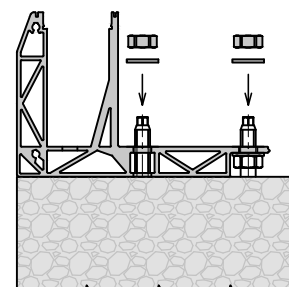
FOLLOW INSTRUCTION ANCHOR SUPPLIER

### 2 - PLACE ANCHORS AND ADJUSTING NUTS



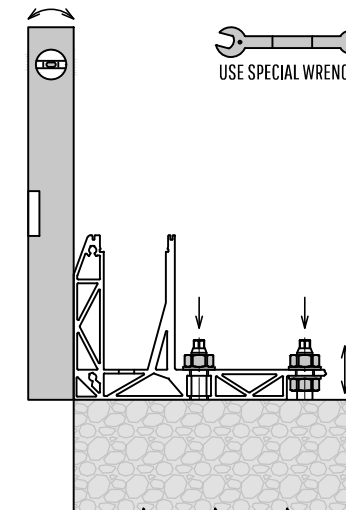
FOLLOW INSTRUCTION ANCHOR SUPPLIER

### 3 - INSTALL PROFILE



DON'T FIX UPPER BOLTS BEFORE ADJUSTING PROFILE

### 4 - ADJUST PROFILE AND TIGHTEN BOLTS



FIX UPPER BOLTS AFTER ADJUSTING PROFILE

## SB-A1 / SB-A2 / SB-A3

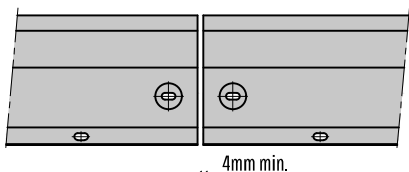
### ANCHOR INDOOR

SB-A1 : FIS A M10x150 + Injection FIS SB 390 S  
 SB-A2 : FIS A M12x210 + Injection FIS SB 390 S  
 SB-A3 : FIS A M12x210 + Injection FIS SB 390 S

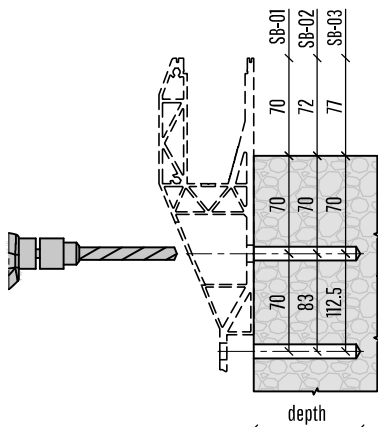
### ANCHOR OUTDOOR

SB-A1 : FIS A M10x150 + Injection FIS SB 390 S A4  
 SB-A2 : FIS A M12x210 + Injection FIS SB 390 S A4  
 SB-A3 : FIS A M12x210 + Injection FIS SB 390 S A4

### DILATATION (OUTDOOR)

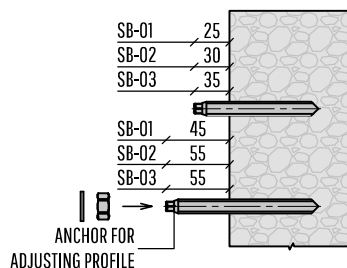


### 1 - DRILL HOLES



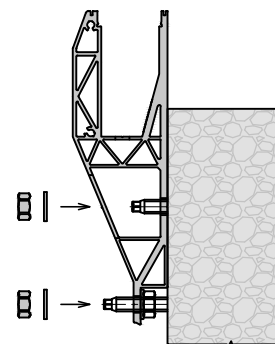
FOLLOW INSTRUCTION ANCHOR SUPPLIER

### 2 - PLACE ANCHORS AND ADJUSTING NUTS



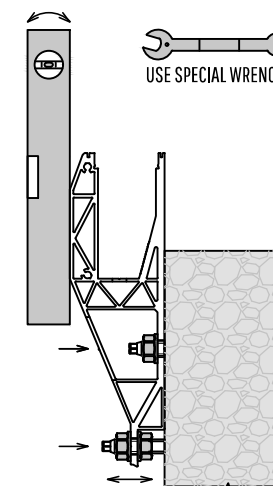
FOLLOW INSTRUCTION ANCHOR SUPPLIER

### 3 - INSTALL PROFILE



DON'T FIX UPPER BOLTS BEFORE ADJUSTING PROFILE

### 4 - ADJUST PROFILE AND TIGHTEN BOLTS



FIX UPPER BOLTS AFTER ADJUSTING PROFILE

## SB-01S / SB-0 0.5S

### ANCHOR INDOOR

SB-01S : FBS 12x130/30 US

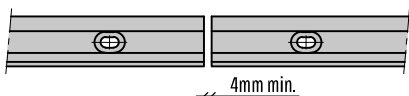
SB-0 0.5S : FBS II 10x120/35 US

### ANCHOR OUTDOOR

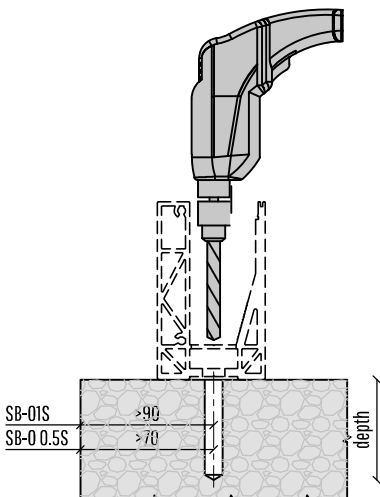
SB-01S : FBS 12x130/30 US SK A4

SB-0 0.5S : FBS 10x120/35 US SK A4

### DILATATION (OUTDOOR)

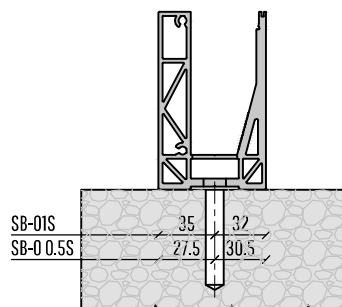


### 1 - DRILL HOLES



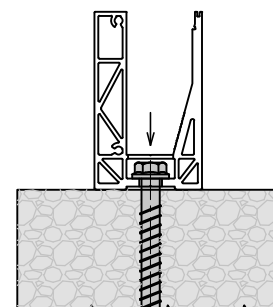
FOLLOW INSTRUCTION ANCHOR SUPPLIER

### 2 - INSTALL PROFILE



FOLLOW INSTRUCTION ANCHOR SUPPLIER

### 3 - TIGHTEN BOLTS



FOLLOW INSTRUCTION ANCHOR SUPPLIER

### ASSEMBLY INSTRUCTION VIDEO



## SB-A1S

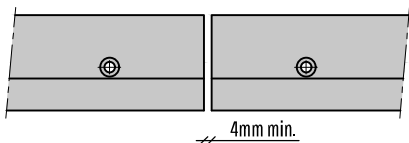
### ANCHOR INDOOR

SB-A1S : FBS II 10x120/35 SK

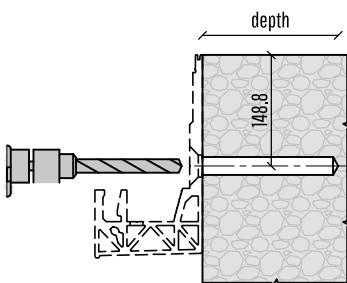
### ANCHOR OUTDOOR

SB-A1S : FBS 10x110/25 SK A4

### DILATATION (OUTDOOR)

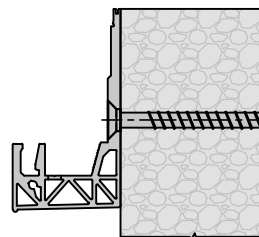


### 1 - DRILL HOLES



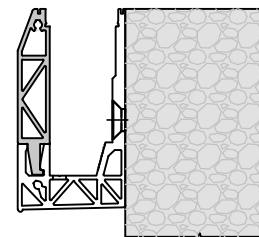
FOLLOW INSTRUCTION ANCHOR SUPPLIER

### 2 - INSTALL FIRST PROFILE



FOLLOW INSTRUCTION ANCHOR SUPPLIER

### 3 - INSTALL SECOND PROFILE



### PAY ATTENTION

The UNIQA profiles comply with international regulations. The assembly and selection of the fasteners remain at all times the responsibility of the person who assembles the profiles.

